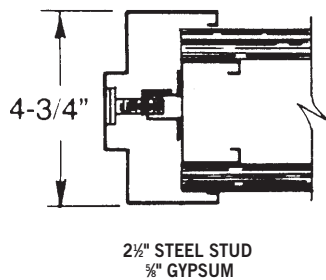
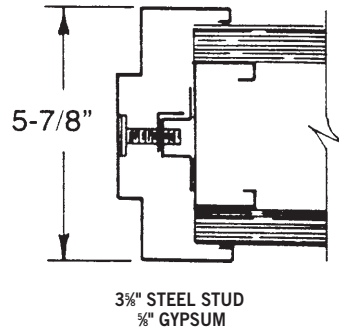
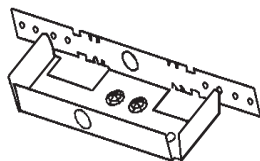
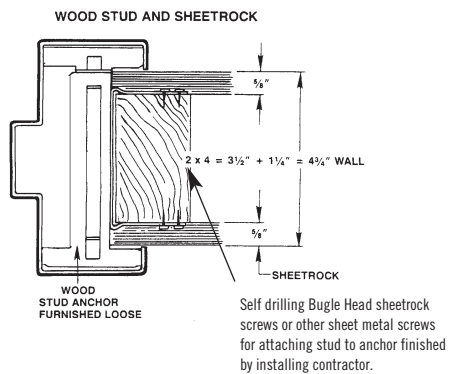


CURRIES HOLLOW METAL FRAME ANCHORS

Drywall Frame Anchors

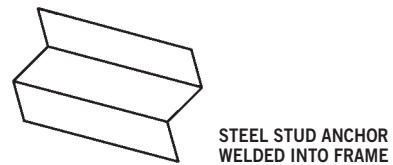
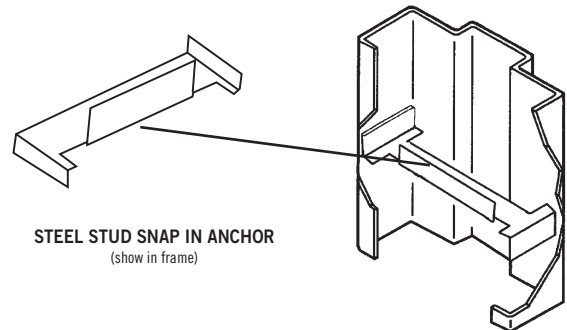


Wood Stud Wall Anchors

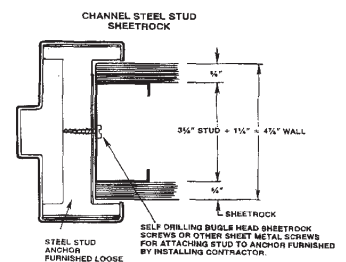


Combination Anchor can be used as a wood stud anchor.

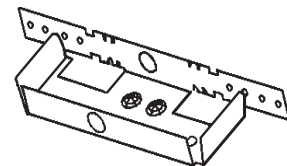
Steel Stud Wall Anchors



STEEL STUD ANCHOR
WELDED INTO FRAME



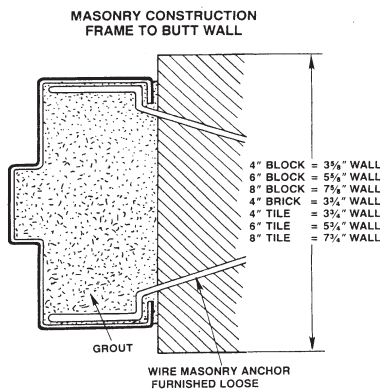
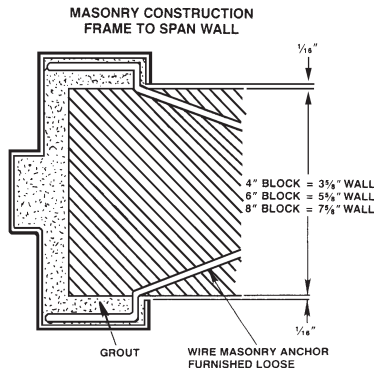
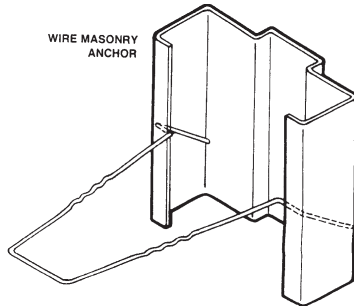
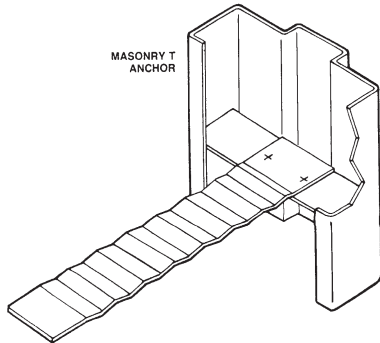
Combination Anchors



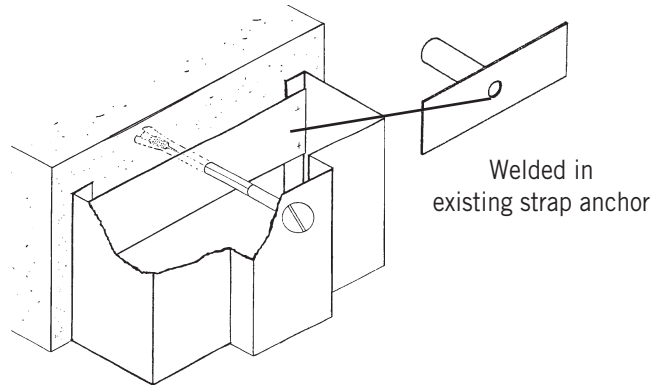
Combination anchor can be used as a steel stud anchor

CURRIES HOLLOW METAL FRAME ANCHORS

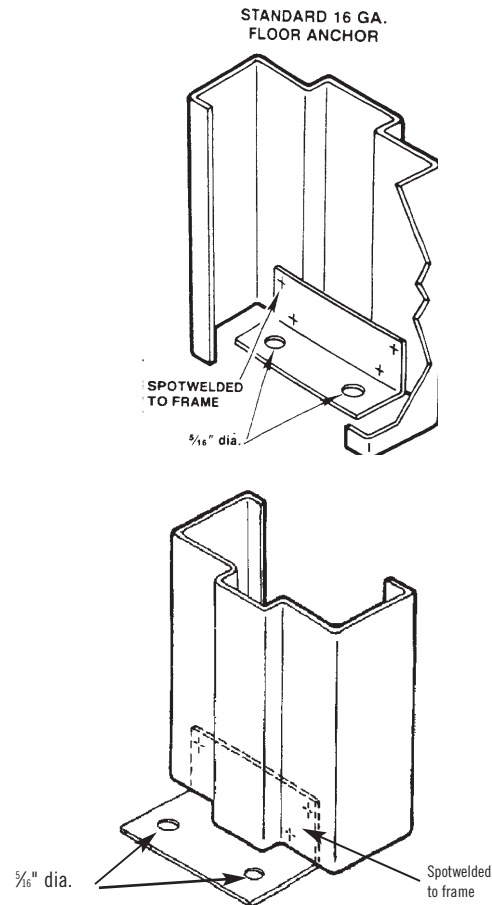
Masonry Wall Anchors



Existing Masonry Anchors



Floor Anchors



Provide frames, other than slip-on drywall type, with minimum 18 Ga. anchors for attachment to the floor.